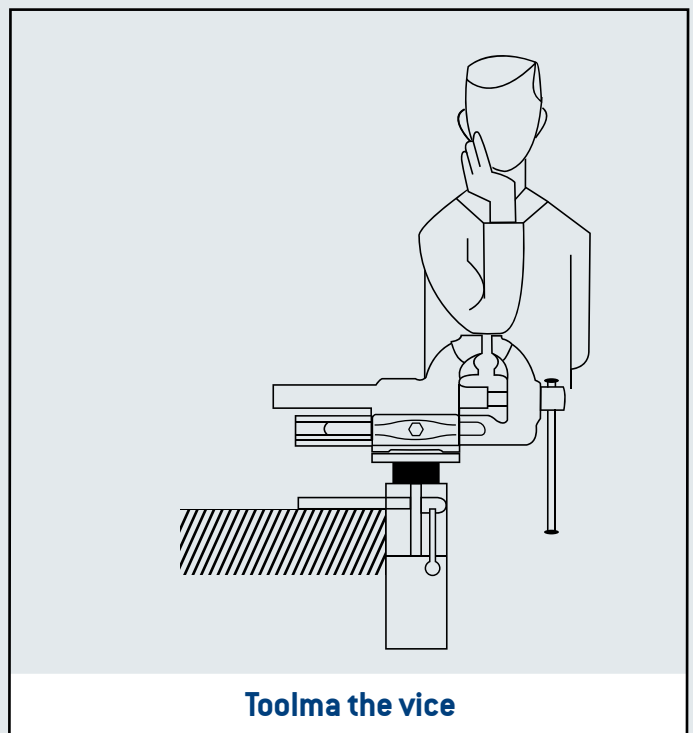
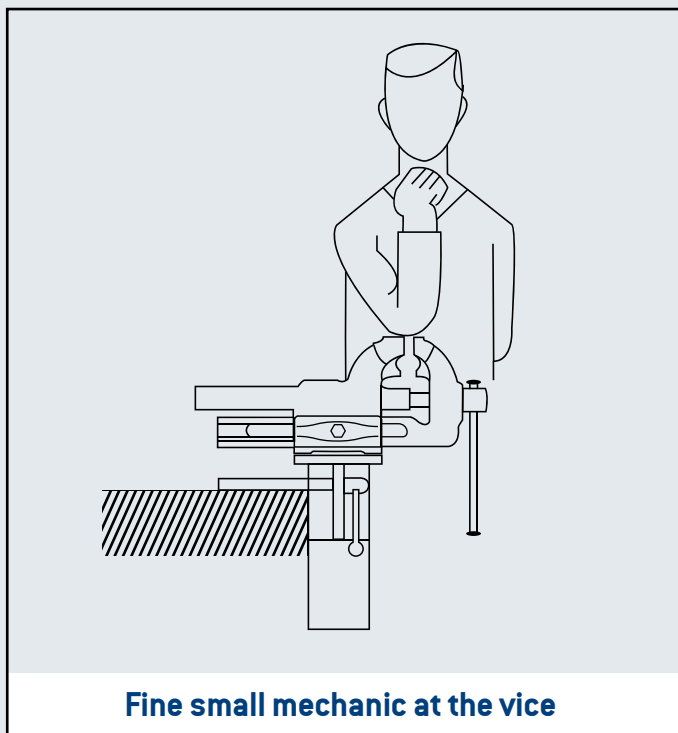
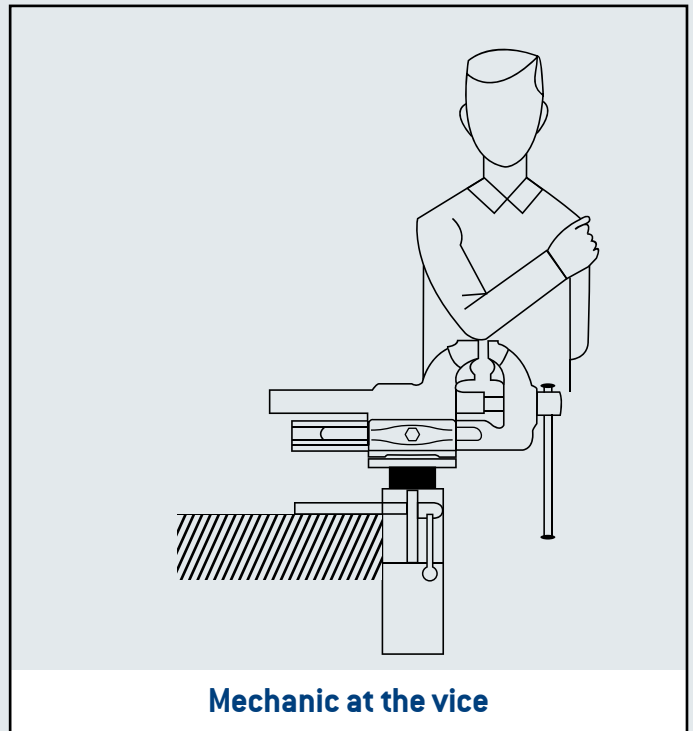
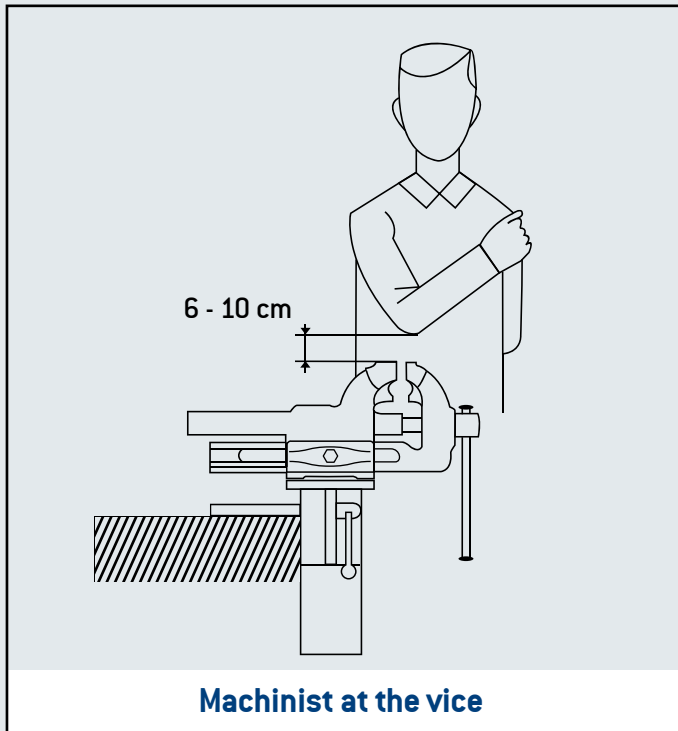


The right vise height ...

... depends on the size of the craftsman and the workpiece to be machined.



Note

For optimum height adjustment of the vise is recommended as an accessory of the HEUER Lift. With it, the vise can be infinitely adjusted to any height up to 200 mm and adjust rotate freely through 360°. More information on the Internet.