



Collapse, lift, rotate  
**ERGONOMICS<sup>3</sup>**

**BROCKHAUS** | **HEUER**  
GmbH

Oestertalstraße 54  
D-58840 Plettenberg (GERMANY)  
Tel.: +49(0)23 91 - 60 29-0  
Fax: +49(0)23 91 - 60 29-29

[info@heuer.de](mailto:info@heuer.de)



Illustrations not colour matched, colour variations possible. Technical alterations subject to change without notice.

# HEUER Collapsible-Lift

**Fold, lift, turn.**

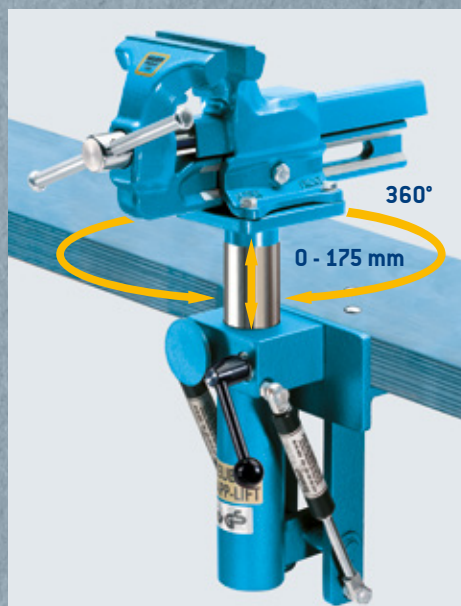
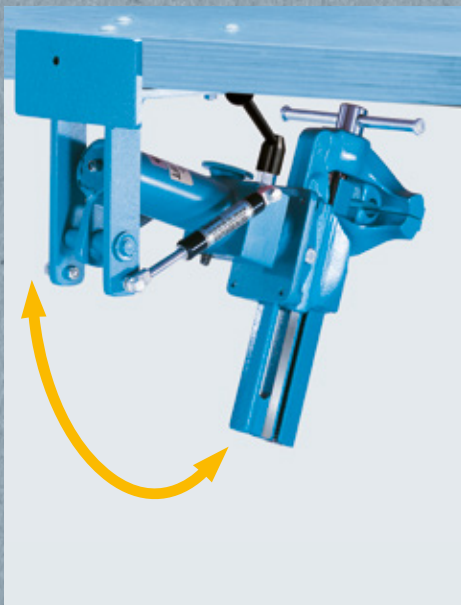
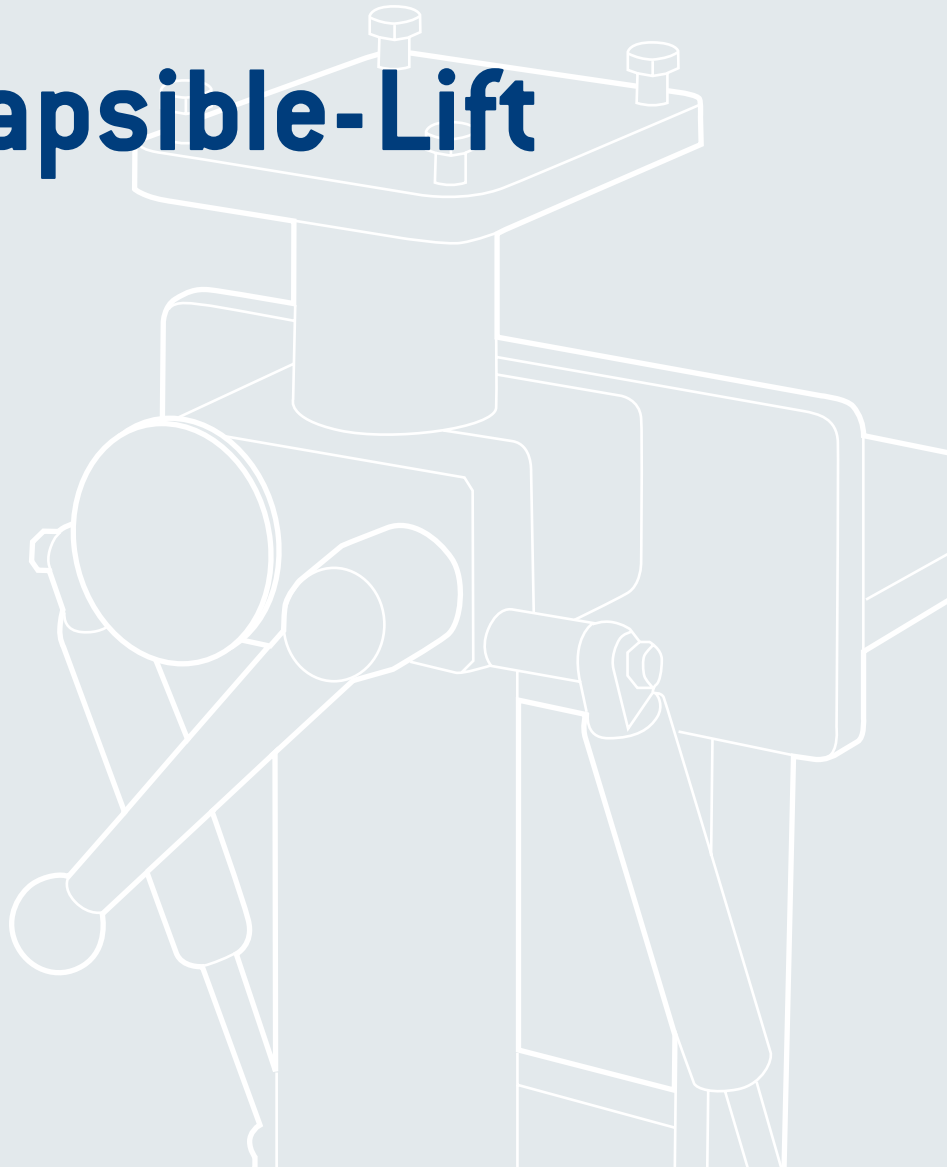
**Three advantages in one device.**

When not in use the vice can be folded beneath the workbench thus freeing the whole workspace for other work.

The adjustability of the vice extends to approx. 175 mm in height and to rotatability of 360°.

People of different sizes, items of different height, sizes and shapes requiring a variety of work, are effortlessly accommodated with the HEUER Collapsible-Lift equipment.

A real boon to the workplace that prevents serious posture damage – especially important for trainees in schools and workshops.



Width of jaw/mm\*  
Lowest depth/mm 1  
Folding depth/mm 2  
Swivel radius/mm 3  
Permitted loading/kg  
Item No.

120	590	460	430	4-10	106 120
-----	-----	-----	-----	------	---------

140	630	495	470	10-16	106 140
-----	-----	-----	-----	-------	---------

\* Data refers to HEUER Vices. Also suitable for other makes provided that permitted loading weights are observed. When ordering please do not forget details of make and size.

- 1 From lower edge of workbench plate
- 2 From front edge of workbench plate
- 3 Around point of rotation

